

Features

- 16 Subscriber selectors fitted as standard
- Single pair connectivity
- Membrane keyboard
- Simple system expansion
- Easy installation, rapid commissioning

Master Control Panel

Description

The BARTEC VODEC DX3+1 is a driller's talkback intercom system designed to enable reliable safety critical two way communication between a master Driller's position and strategic rig locations.

The DX3+1 system is managed and controlled from a DX3MC16 control panel which allows the driller to conveniently establish communication plans for hands-free operation.

The unit comprises of a robust low profile enclosure which carries a tactile membrane keyboard (which is fitted with large illuminating subscriber channel selector keys) and an extended "long reach" gooseneck mounted noise cancelling microphone.

The DX3MC16 is ATEX certified for safe use in a Zone 1 IIC potentially explosive atmospheres and

is rated intrinsically safe when used in conjunction with BARTEC VODEC central equipment.

The DX3MC16 is fitted with a BARTEC VODEC VAP100a transceiver which provides modular plug in/out interface facilitating rapid service.

Connection between the control unit and the host DX3+1 central rack is by a single cable pair which carries phantom DC power supply, data and status indication control.

Technical Data

ATEX Certified

Zone IIC T4
Hazardous Area 1 Certification

Dimensions

250 mm wide
350 mm high
55 mm deep

Weight

1kg

Finish

Back enclosure electroplate steel

Power supply

5V DC phantom powered

Transceiver

VAP100a

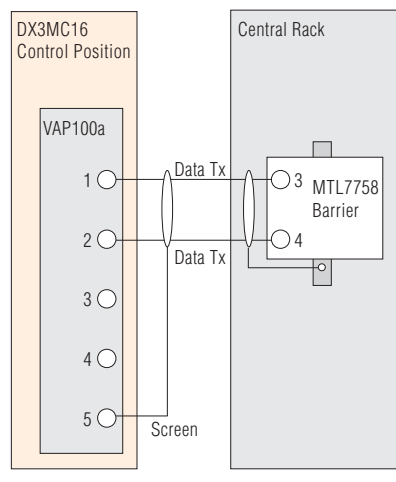
Explosion protection

Ex protection

Ex II 2G Ex ib IIC T4
-40 °C ≤ T_a ≤ +60 °C

Diagram

shows connection of DX3MC16 master control unit linked to host equipment



Drawing

