

VAP30 Port

Features

- Plug in/out no soldered joints/hard wiring
- Optically isolated interface to host panel
- DIL switch configurable
- LED status display
- Rapid simple service
- Eliminates computers and flash memory
- Rapid fault finding

Description

BARTEC VODEC design and manufacture a range of public address and alarm broadcast equipment developed specifically for the petrochemical industry.

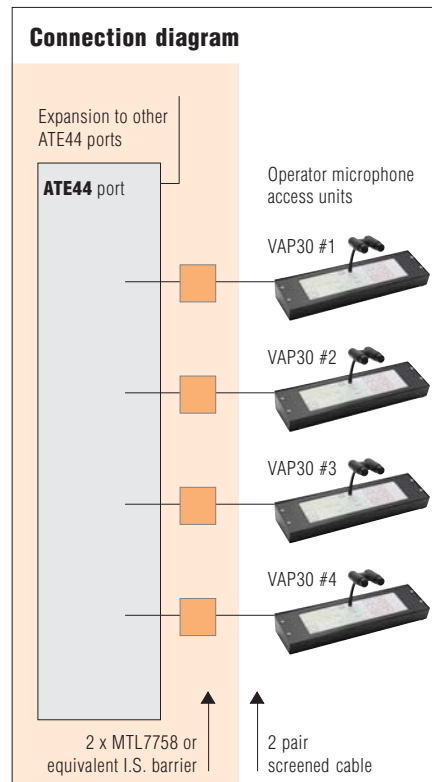
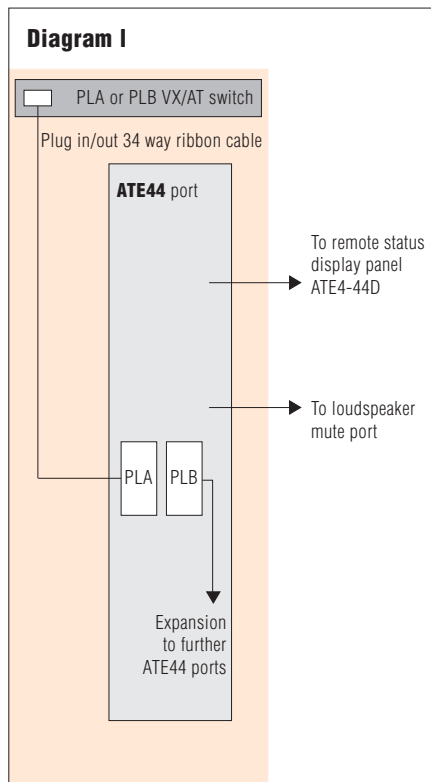
The BARTEC VODEC ATE44 port is DIN rail mount snap on/off assembly located in the central equipment MDF and facilitates the connection of up to four VAP30 intrinsically safe ATEX certified microphone access units.

The ATE44 port connects to the host VX/AT management by a plug in/out 34 way flat ribbon cable, which can support up to four ATE44 ports to give an ultimate capacity of sixteen VAP30 access units.

The ATE44 is fitted with four channels corresponding to four VAP30 access unit inputs. To assure intrinsic safety each channel is assigned a MTL7758 or (equivalent) I.S. barrier set.

Each operator access unit shall be fitted with VAP100A transceiver modules to allow communication with the ATE44.

A remote status display panel is extendable from ATE44 type ATE4-44D.



Technical Data

Supply

DC 48 V from host VX/AT switch

Consumption

200 mA

Signalling protocol

Full duplex DTMF in band signalling

Dimensions

111 mm wide
252 mm high
60 mm deep

Weight

0.48 kg