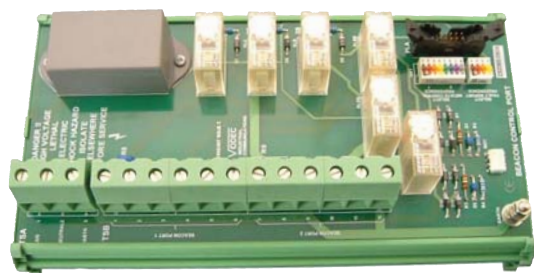


BCP Beacon Control Port

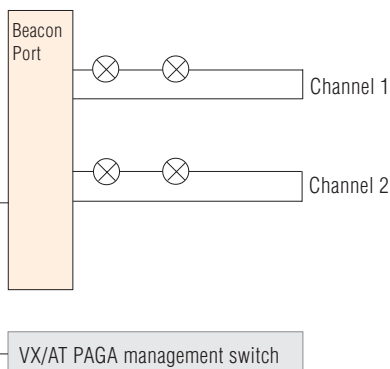


Beacon Control Port

Features

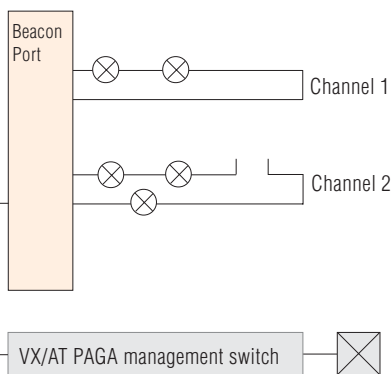
- Modular design eliminates wiring looms
- Fully protected on board fusing
- Fully monitored critical path
- On board configuration switches
- Highly reliable, simple service
- Fast charge out/service, minimal down time
- Maximum safety, simple servicing
- Suitable for high integrity broadcast systems

Beacon port showing flashing beacons wired on a „loop“ basis.



Beacon port „self healing“ drive to both ends of the beacon loop

thereby maintaining service in event of a single cable break.



Description

The beacon control port comprises of a compact DIN rail mount snap on/off assembly which houses a single glass fibre printed circuit card.

Mains power supply is terminated on to 10 mm² cable conductors. Each Beacon control outlet is discretely fuse protected on board by industry standard cartridge fuse links.

Connection to the host management switch is via a plug in/out flat (ribbon insulation displacement) cable. This cable carries control signal initiation for each port outlet, both for supervisory checks and operation during an alarm or emergency broadcast it also facilitates beacon line monitor "trouble" status hand shake back to the host system management.

Supervision is by momentary application of mains supply to the beacon cable networks initiated by the management switch, correct "end of line" voltage is sensed by optically coupled devices with resulting go/no go status returned to host management switch. A supervisory cycle is initiated automatically by the switch for 0.25 seconds at 600-second intervals.

Two banks of switches are fitted to the port to enable the commissioning/service engineer to:

- Declare which broadcast condition will initiate which beacon port outlet
- A second switch bank enables the engineer to route the beacon port fault report output to the next available supervisory input on the host VX/AT management switch A VX/AT switch can manage up to four beacon ports without recourse to additional expansion hardware. Control and supervisory connectivity is by loop in/out 10 way five ribbon cable which interconnect each port and the host switch.

➤ Technical Data

Mains supply

DC 48 V, AC 110/120 V, AC 220/240 V

Maximum load per outlet

2 kVA (non-inductive)

Number of outlets per port

2

Fuse rating each outlet

15 A Anti-surge

Dimensions

111 mm wide
222 mm length
60 mm high

Weight

approx. 0.5 kg

Temperature Range

-20 °C to +50 °C

Connections

10 way ribbon header for host communications

10 mm connection capability for mains supply input

2.5 mm connection capability for each beacon control outlet