



Process Monitor PM 420^{ex}

Features

- Version in Ex i
- Five-digit transreflective graphics display
- No additional voltage supply needed
- Bar graph capability

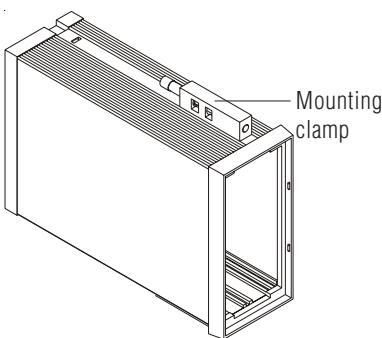
Description

The process monitor is a 5-digit intrinsically safe display unit.

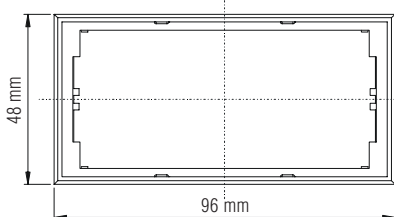
It can be used to show electricity flowing out of a 4 mA... 20 mA field circuit into technical units.

No additional voltage supply or battery is needed for operation.

Mounting



Dimensions/mounting positions



Depth: 82 mm

Input mode unit			
Parameter	Unit	Parameter	Unit
0	°C	13	t
1	A	14	pH
2	mA	15	ppm
3	V	16	rpm
4	mV	17	mbar
5	n	18	bar
6	mm	19	kPa
7	cm	20	1/min
8	m	21	μS/cm
9	km	22	mS/cm
10	m ³	23	m ³ /h
11	%	24	Nm ³ /h
12	kg		

Explosion protection

Ex protection type

Ex II 2(1)G Ex ia ib IIC T5

Certification

IBEXU09ATEX1095 X

Ambient temperature

-20 °C ≤ Ta ≤ +60 °C

Safety related data

U_i ≤ 30 V DC

I_i ≤ 100 mA

L_i ≤ insignificant

C_i ≤ 12 nF

Technical data

Design

front-panel fitting

Enclosure material

high-quality thermoplastics

Protection class

front installation IP 40
terminals IP 20

Display

Type height 13 mm

Connecting terminals

2,5 mm², fine-stranded

Storage temperature

-40 °C up to +80 °C

Dimensions (width x height x depth)

96 mm x 48 mm x 82 mm

Wall cut-out

91 mm x 44 mm + 0,5 mm

Weight

120 g

Electrical data

Measuring range

4...20 mA

Measured variable

Current

Error of indication

< 0.1 % of the display range

Temperature drift

< 0.01 %/K

Background lighting

on request

Order no.
17-71MM-1002

Technical data subject to change.